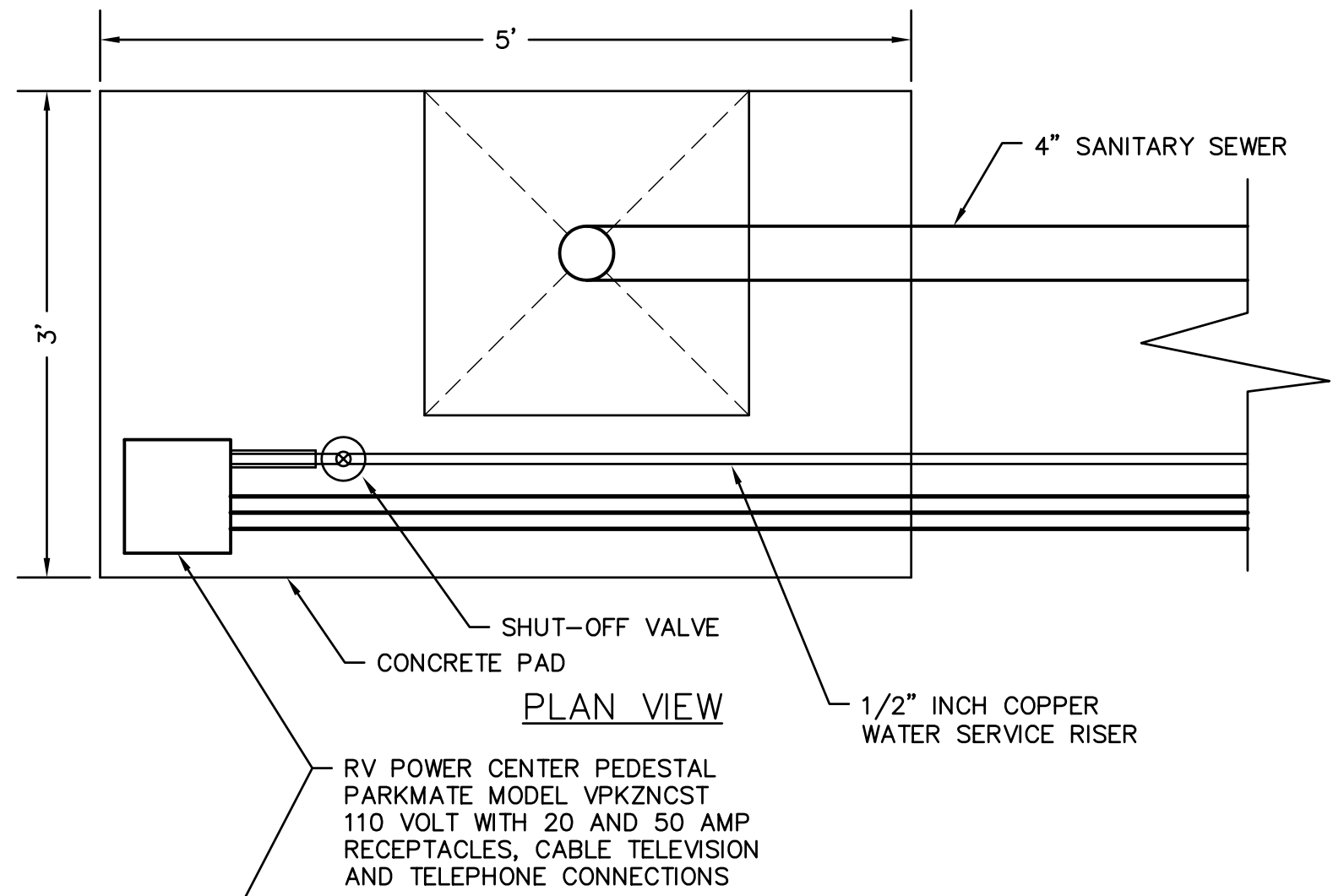
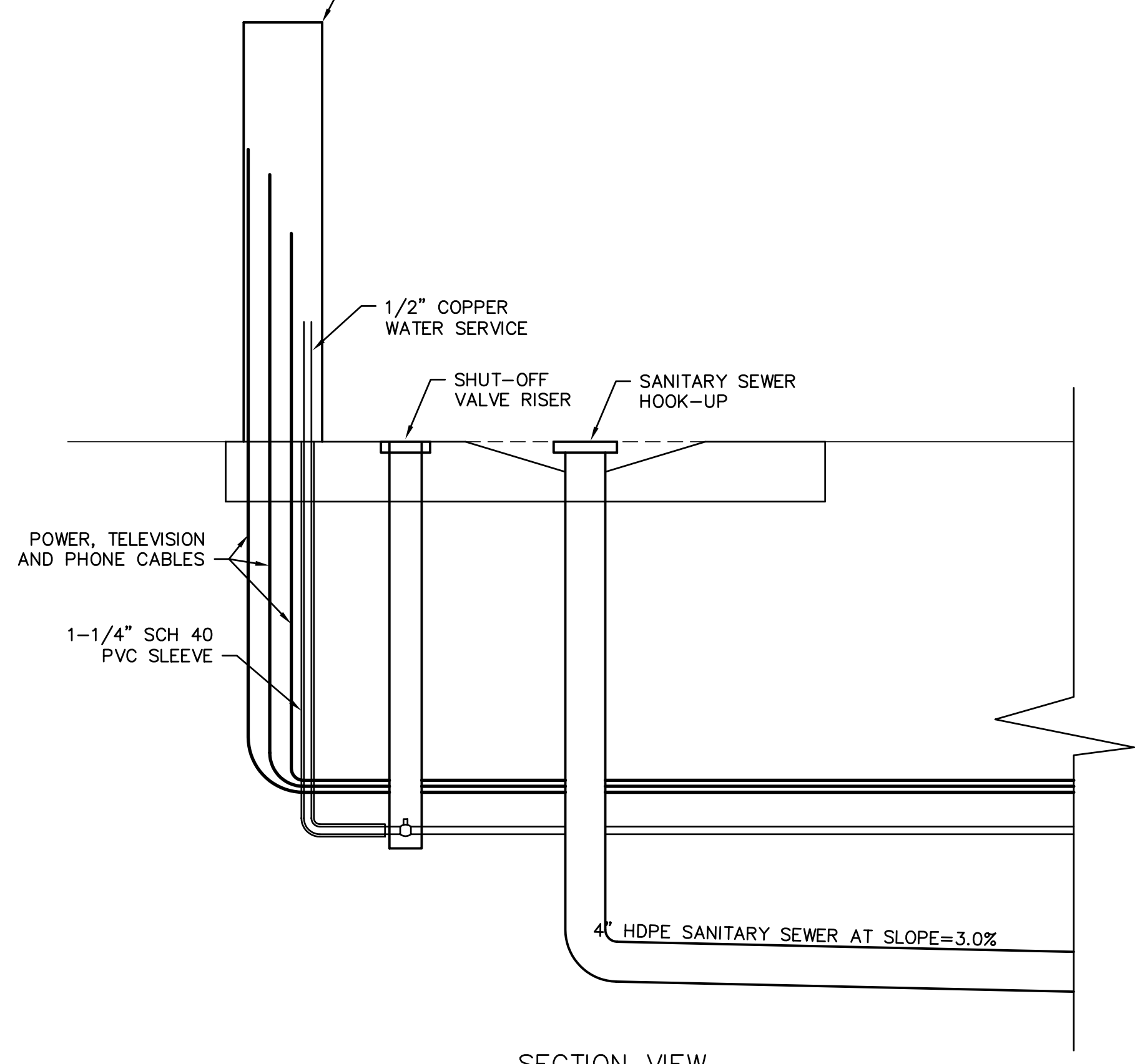


RV SPACE
DETAIL 1
NTS

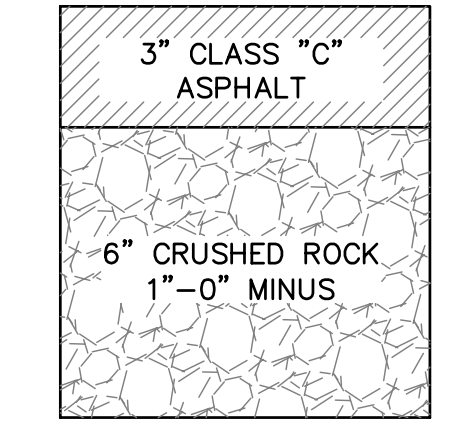


PLAN VIEW

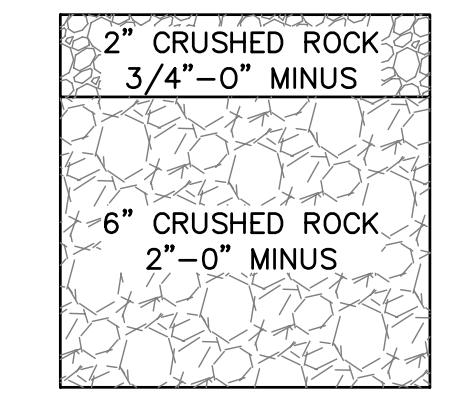


SECTION VIEW

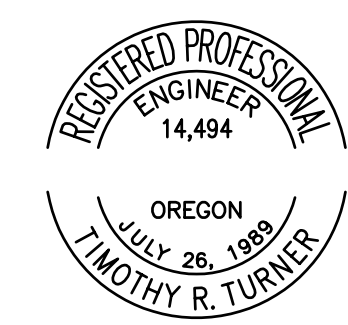
CONCRETE UTILITY PAD
DETAIL 2
NTS



ACCESS DRIVEWAY SECTION
DETAIL 3
NTS



INTERIOR DRIVEWAY SECTION
DETAIL 4
NTS



TRT ENGINEERING, INC.
2636 S.E. MARKET STREET
PORTLAND, OREGON 97214
PHONE (503) 235-7592
FAX (503) 235-7593

PACIFIC SURF
PRIVATE MOTORCOACH PARK
8107 & 8143 NORTH COAST HIGHWAY
LINCOLN COUNTY, OREGON

DETAILS

FIGURE NO.
2